

Category: Telecom

AM-LLT-1915-P

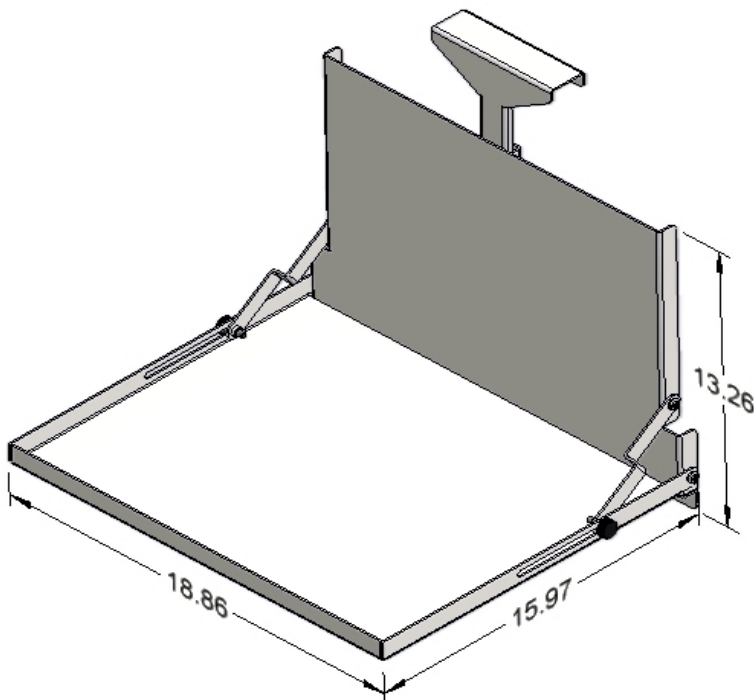
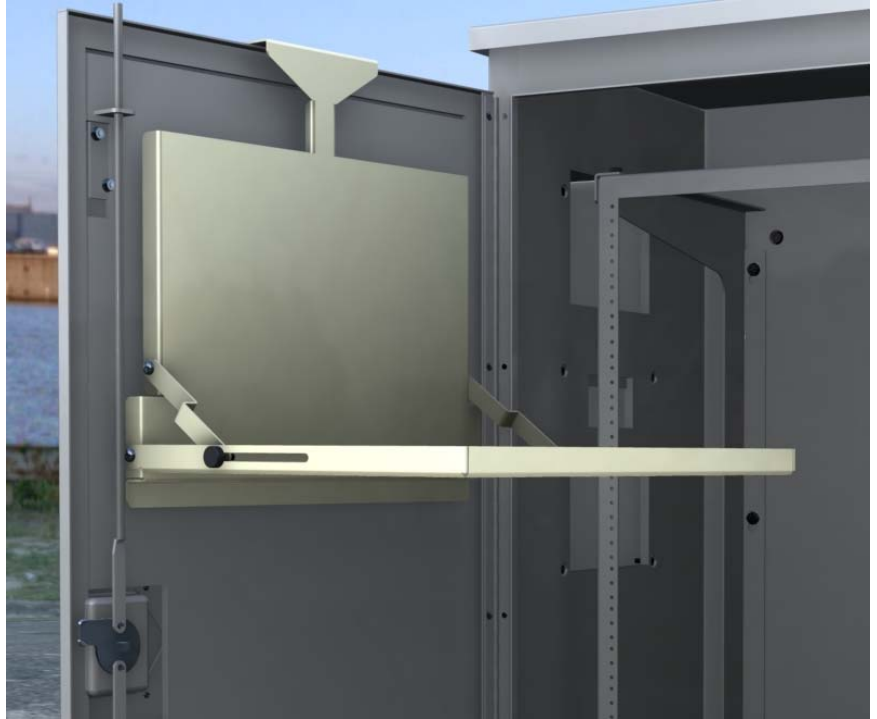
This outdoor multi-purpose equipment cabinet hanging laptop shelf is used when technicians and installers use laptops in their day to day routines.

Common Uses:

- Equipment installers
- Service technicians

Specifications:

- **Size:** 13" Tall x 19" Wide x 15" Deep
- **Weight:** 6 lbs
- **Ship Weight:** 7 lbs
- **Material:** Aluminum
- **Powder Coated:** 1000 hour salt spray test in compliance with GR487 standards.



Features:

- Supported by a door hook that allows the laptop shelf to be portable
- Hook support is adjustable allowing shelf height to adjust to required heights
- The shelf folds to allow for easy transport and storage
- Enhances technicians work performance
- Simplifies correct data entry by improving working position
- Eliminates test gear & PC equipment abuses on the ground
- Manufactured from aluminum to create a light weight solution that is easy to carry.
- Durable Powder Coat Paint finish